



GÄRÄNTIE[®]
FULLY GUIDED
IMPLANT SYSTEM

SCINCE **MEETS** PERFECTION

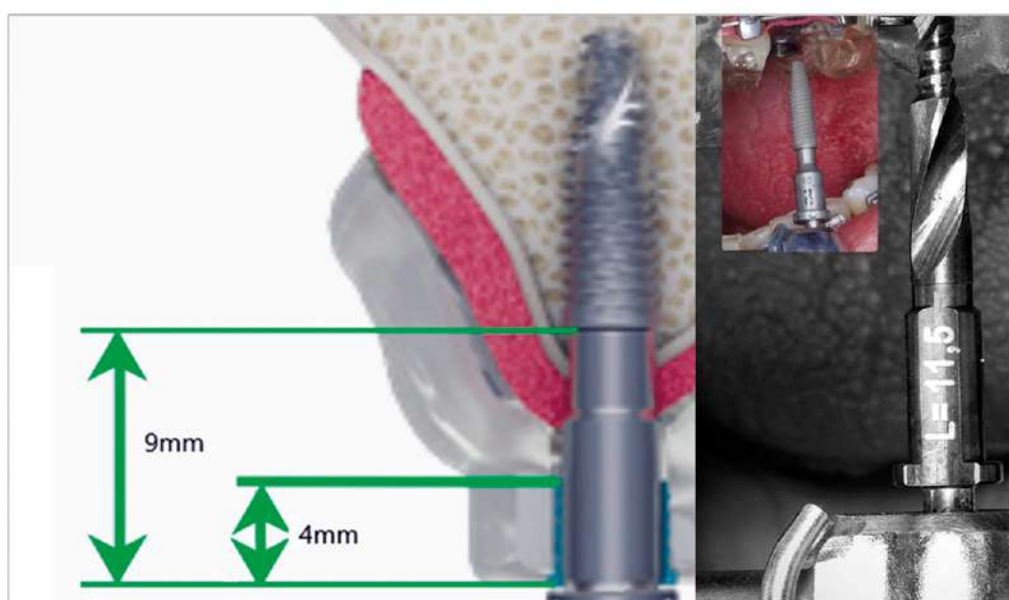
GUIDED SURGERY

The GARANTIE Guide guided surgery concept is a comprehensive system which offers a complete guidance for the 2 different diameters of the GARANTIE family: EP & TX 3.5mm & 4.3mm as well as full guidance and depth control on all implant lengths. In combination with the well proven GARANTIE implant system, GARANTIE delivers surgical precision with long term esthetic success and predictability.

The ease of use of the GARANTIE system is demonstrated by the possibility to choose between two different sleeve diameters: narrow and wide. Narrow sleeves are designed for implants with a diameter of 3.5mm, while wide sleeves are for implants with diameter of 4.3mm. The sleeves are flattened on two sides so as to allow a closer placement of adjacent sleeves within the guide.

Implant diameters within the system can be driven with drivers.

The GARANTIE system offers the standard 9mm offset.



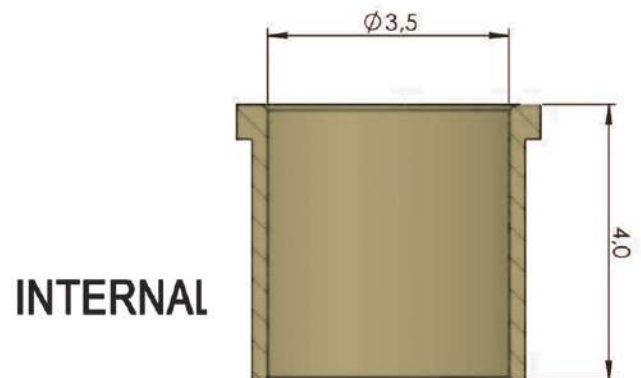
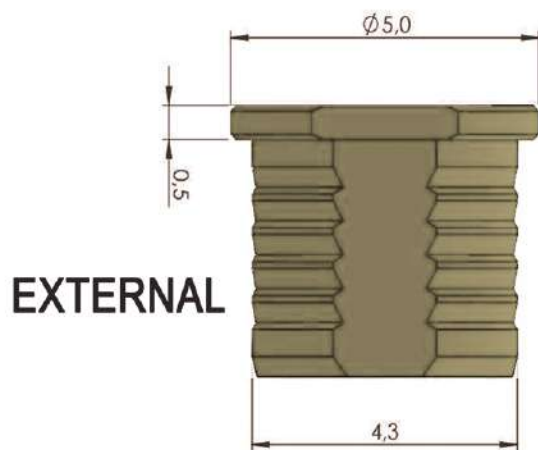
GUIDED SURGERY SURGICAL KIT



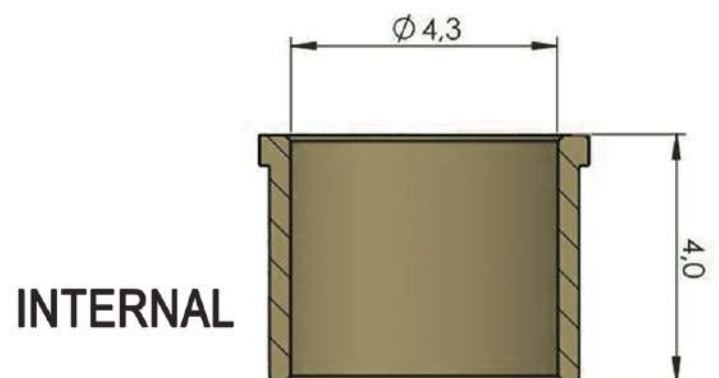
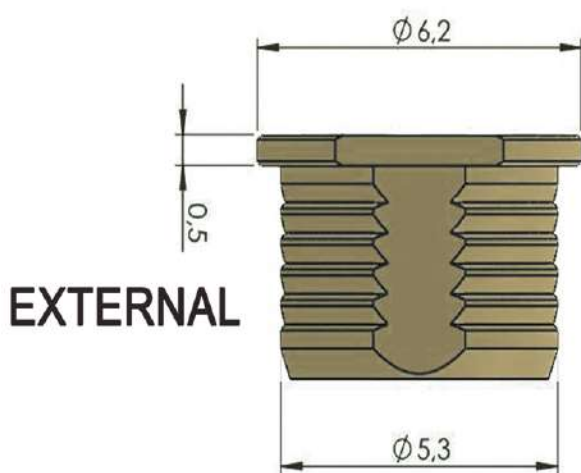
Streamlined design with high-quality and technically designed tools used by dentists, our partner in success, to make their visitors happy and reduce the visiting time.

SLEEVES

FOR 3.5 mm



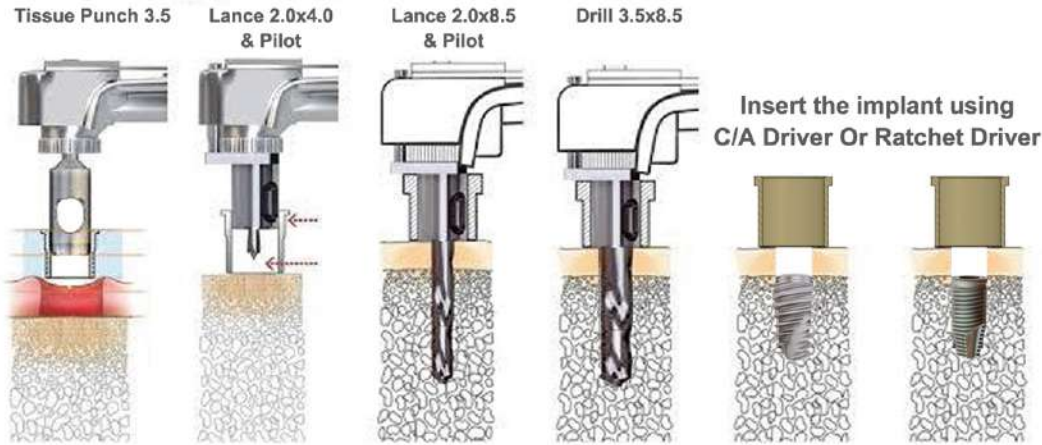
FOR 4.3 mm



GUIDED SURGERY

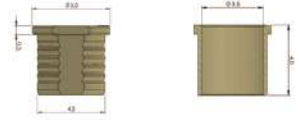
Sequential Drilling Sequence

• 3.5 x 8.5 EP Or TX

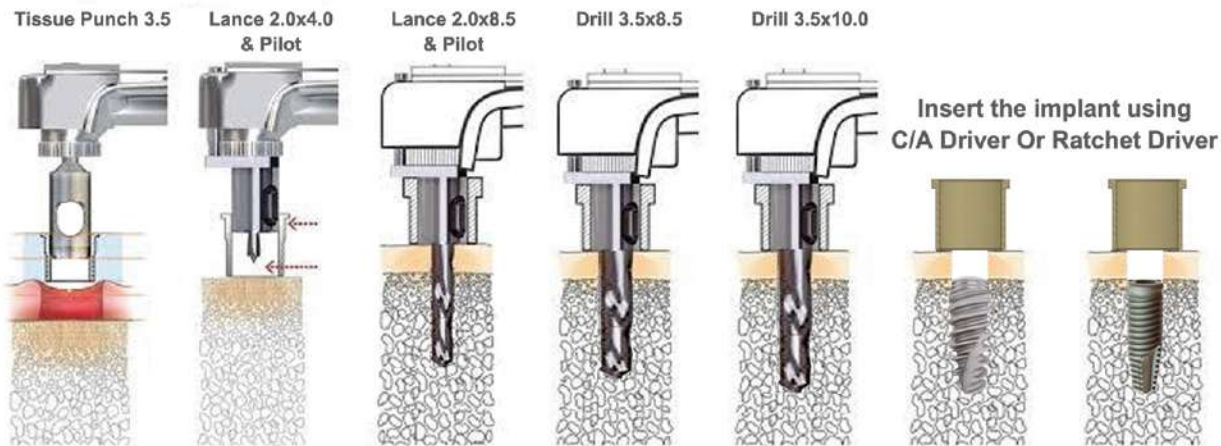


Note

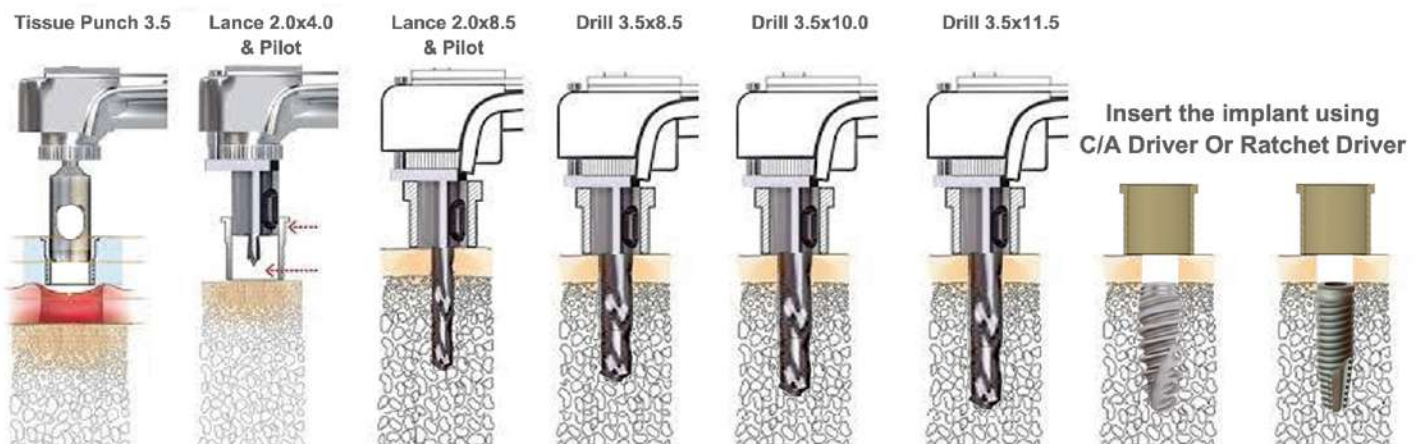
use sleeves 3.5



• 3.5 x 10.0 EP Or TX



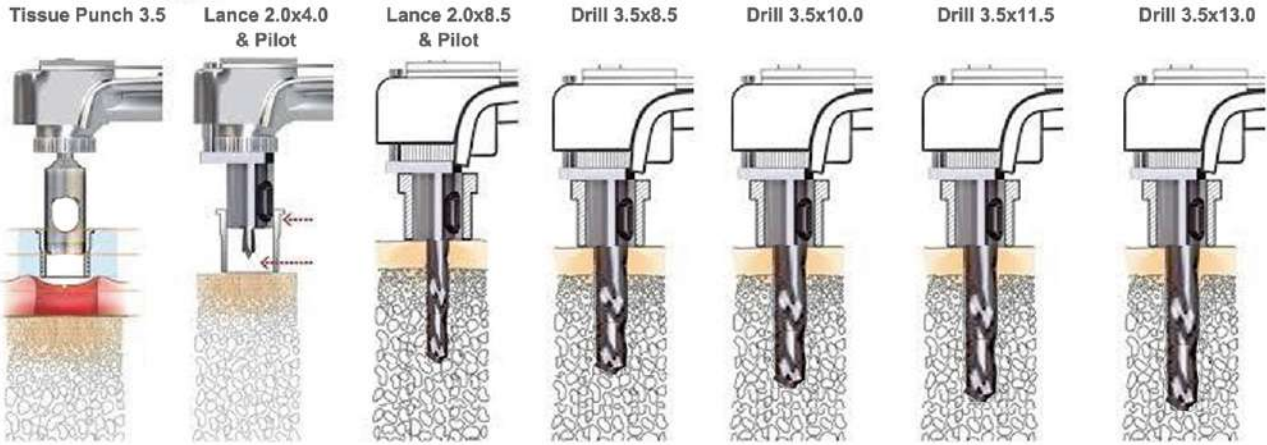
• 3.5 x 11.5 EP Or TX



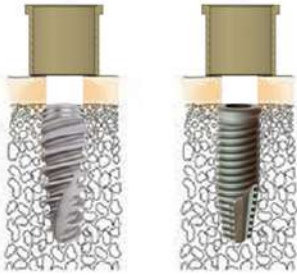
GUIDED SURGERY

Sequential Drilling Sequence

● 3.5 x 13.0 EP Or TX

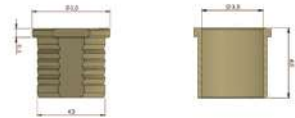


Insert the implant using
C/A Driver Or Ratchet Driver

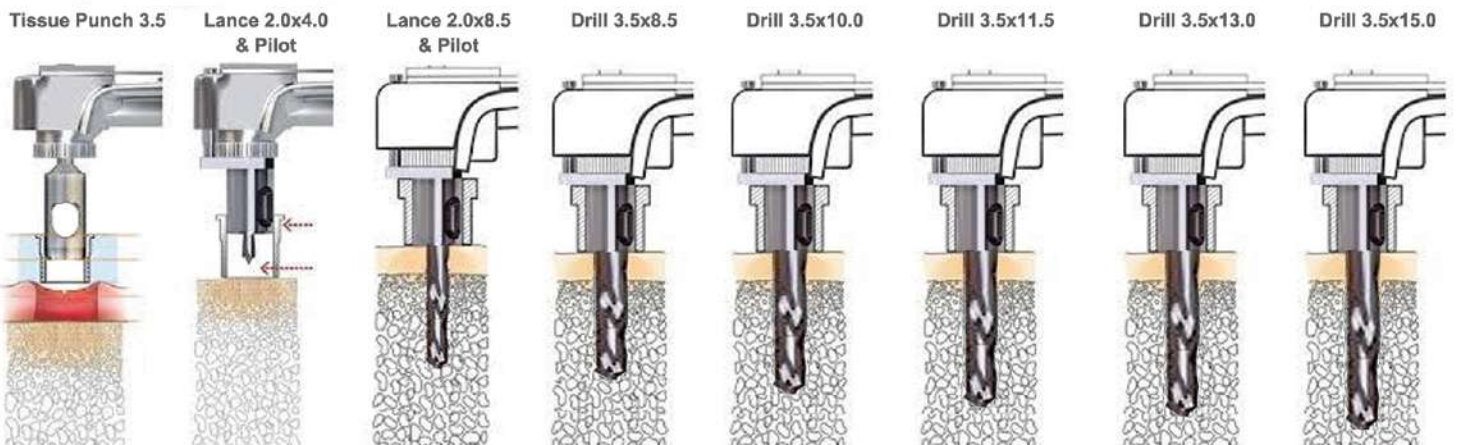


Note

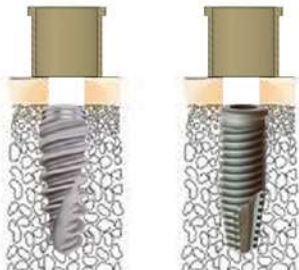
use sleeves 3.5



● 3.5 x 15.0 EP Or TX



Insert the implant using
C/A Driver Or Ratchet Driver

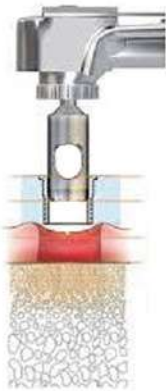


GUIDED SURGERY

Sequential Drilling Sequence

● 4.3 x 8.5 EP Or TX

Tissue Punch 4.3



Lance 2.0x4.0 & Pilot



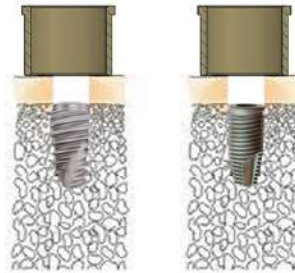
Lance 2.8x8.5 & Pilot



Drill 4.3x8.5

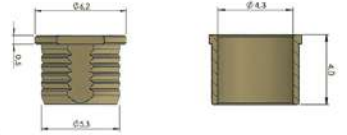


Insert the implant using
C/A Driver Or Ratchet Driver



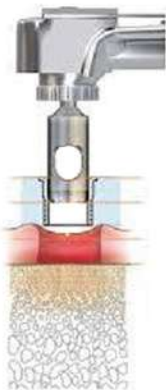
Note

use sleeves 4.3



● 4.3 x 10.0 EP Or TX

Tissue Punch 4.3



Lance 2.0x4.0 & Pilot



Lance 2.8x8.5 & Pilot



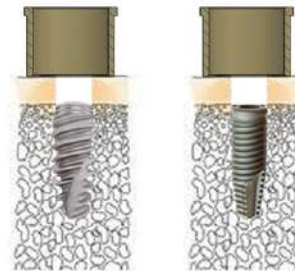
Drill 4.3x8.5



Drill 4.3x10.0



Insert the implant using
C/A Driver Or Ratchet Driver



● 4.3 x 11.5 EP Or TX

Tissue Punch 4.3



Lance 2.0x4.0 & Pilot



Lance 2.8x8.5 & Pilot



Drill 4.3x8.5



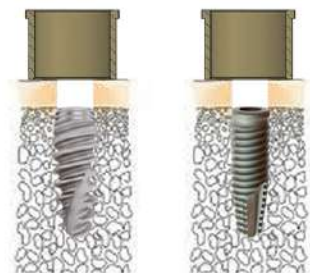
Drill 4.3x10.0



Drill 4.3x11.5



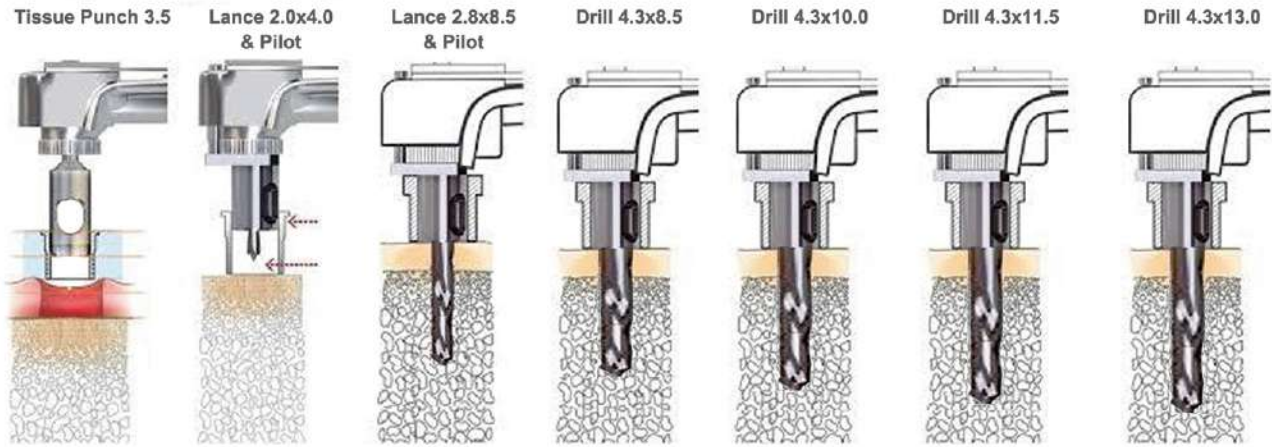
Insert the implant using
C/A Driver Or Ratchet Driver



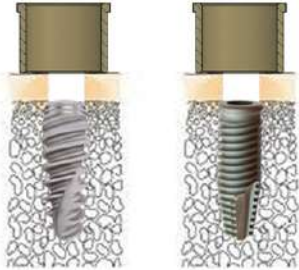
GUIDED SURGERY

Sequential Drilling Sequence

● 4.3 x 13.0 EP Or TX

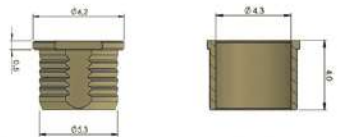


Insert the implant using
C/A Driver Or Ratchet Driver

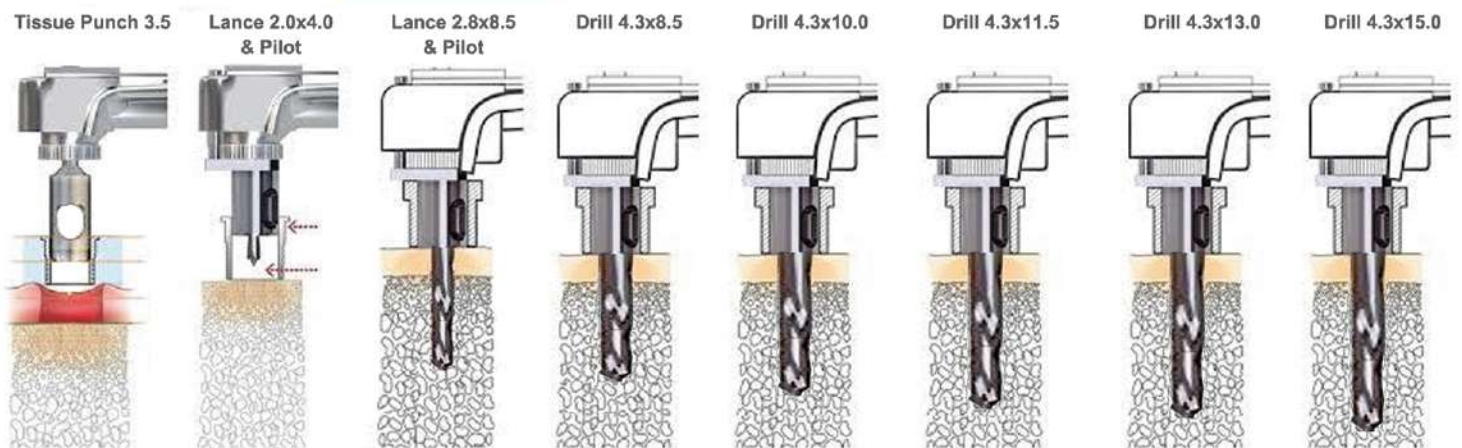


Note

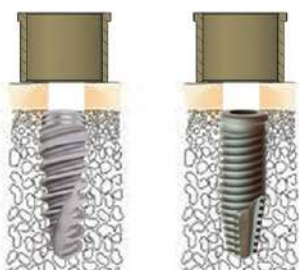
use sleeves 4.3



● 4.3 x 15.0 EP Or TX



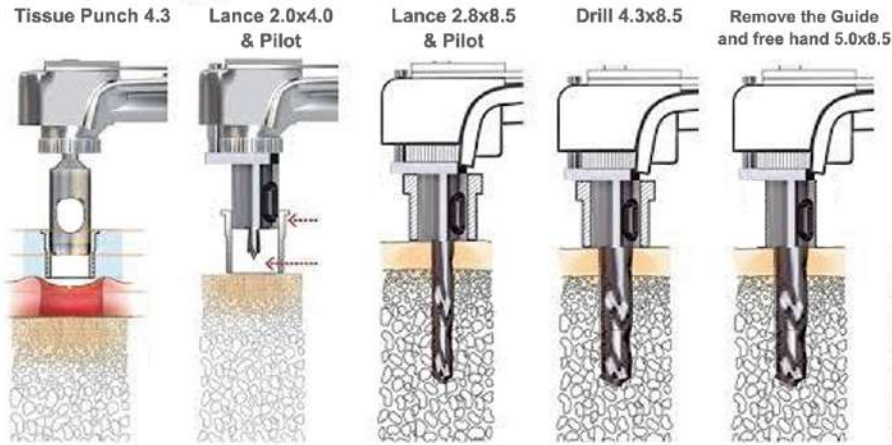
Insert the implant using
C/A Driver Or Ratchet Driver



GUIDED SURGERY

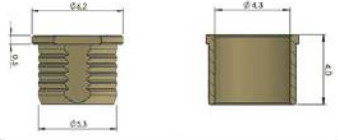
Sequential Drilling Sequence

• 5.0 x 8.5 EP Or TX



Note

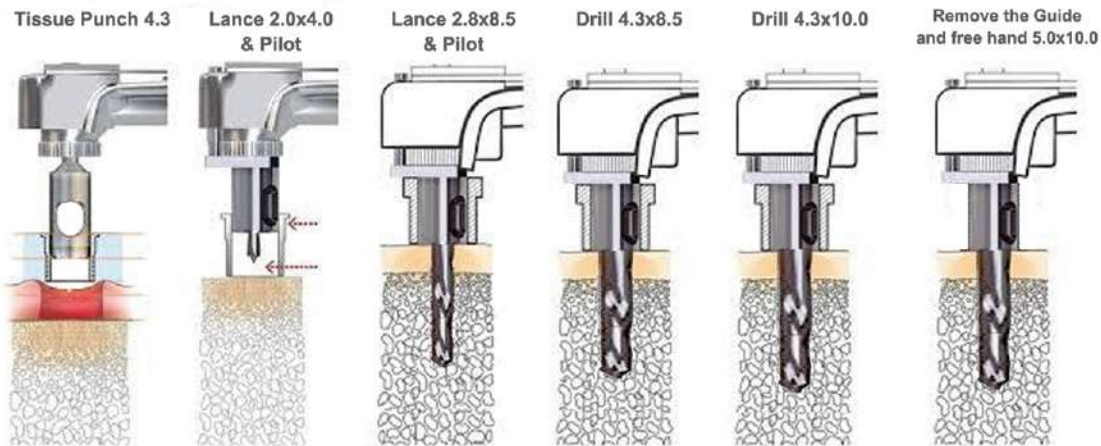
use sleeves 4.3



Free hand insertion



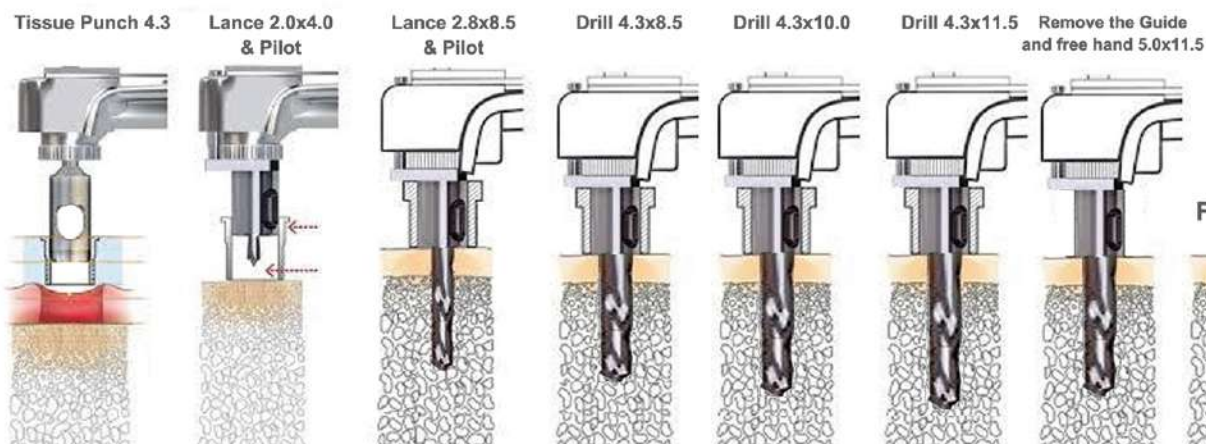
• 5.0 x 10.0 EP Or TX



Free hand insertion



• 5.0 x 11.5 EP Or TX



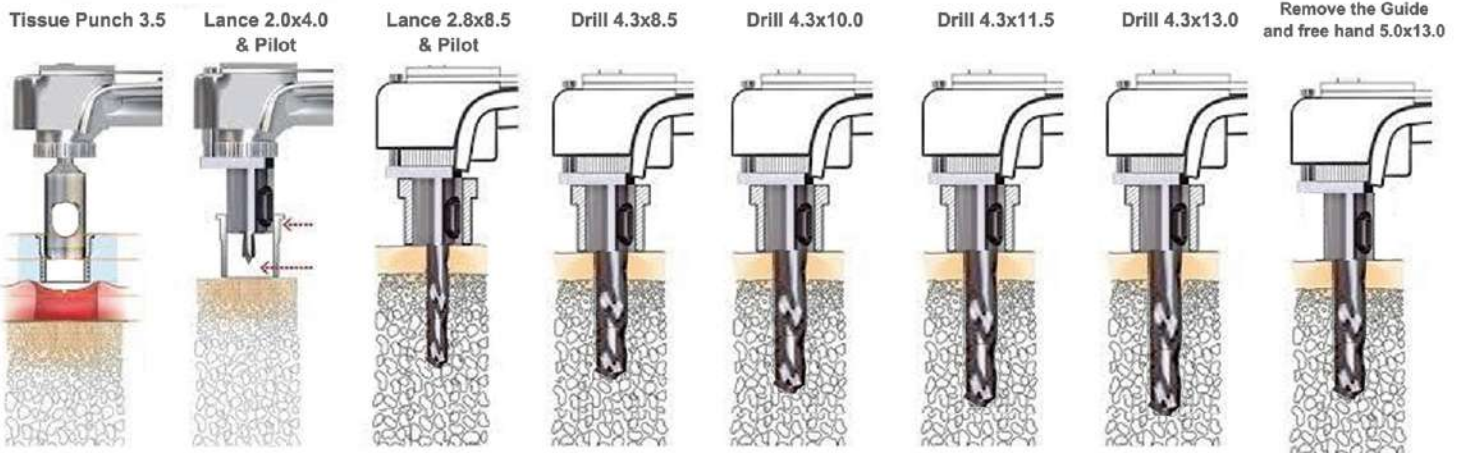
Free hand insertion



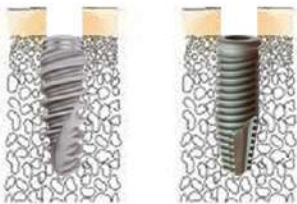
GUIDED SURGERY

Sequential Drilling Sequence

● 5.0 x 13.0 EP Or TX

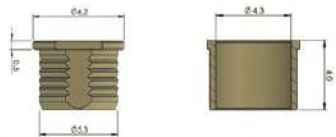


Free hand insertion

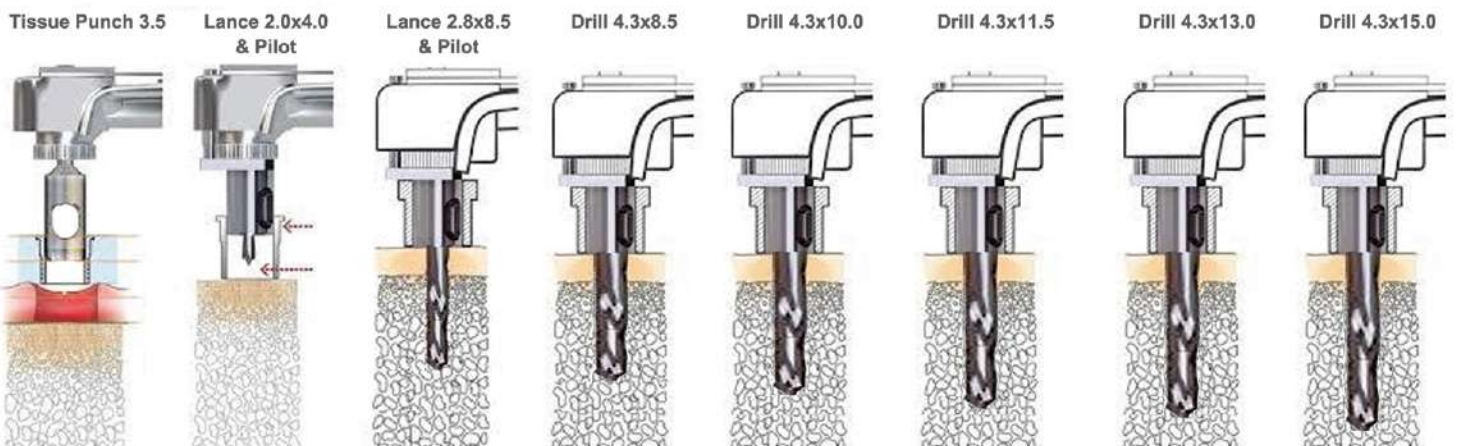


Note

use sleeves 4.3



● 5.0 x 15.0 EP Or TX



Remove the Guide
and free hand 5.0x15.0

Free hand insertion



GUIDED SURGERY

GARANTIE guided kit components

- * Double flat sided to allows more irrigation to avoid heat generation
- * Durable Diamond-like Carbon (DLC) Coating
- * Max 1200 RPM
- * 4- 15mm length
- * 6mm laser line (on 8L drills)
- * Built-in stop

Punch
3,5mm



Punch
4,3mm



2,0 X 4,0mm



2,0 X 4,0mm



2,0 X 8,5mm



2,8 X 8,5mm



GUIDED SURGERY

GARANTIE guided kit components

3,5 x 8,5mm



4,3 x 8,5mm



3,5 x 10mm



4,3 x 10mm



3,5 x 11,5mm



4,3 x 11,5mm



GUIDED SURGERY

GARANTIE guided kit components

3,5 x 13mm



4,3 x 13mm



3,5mm



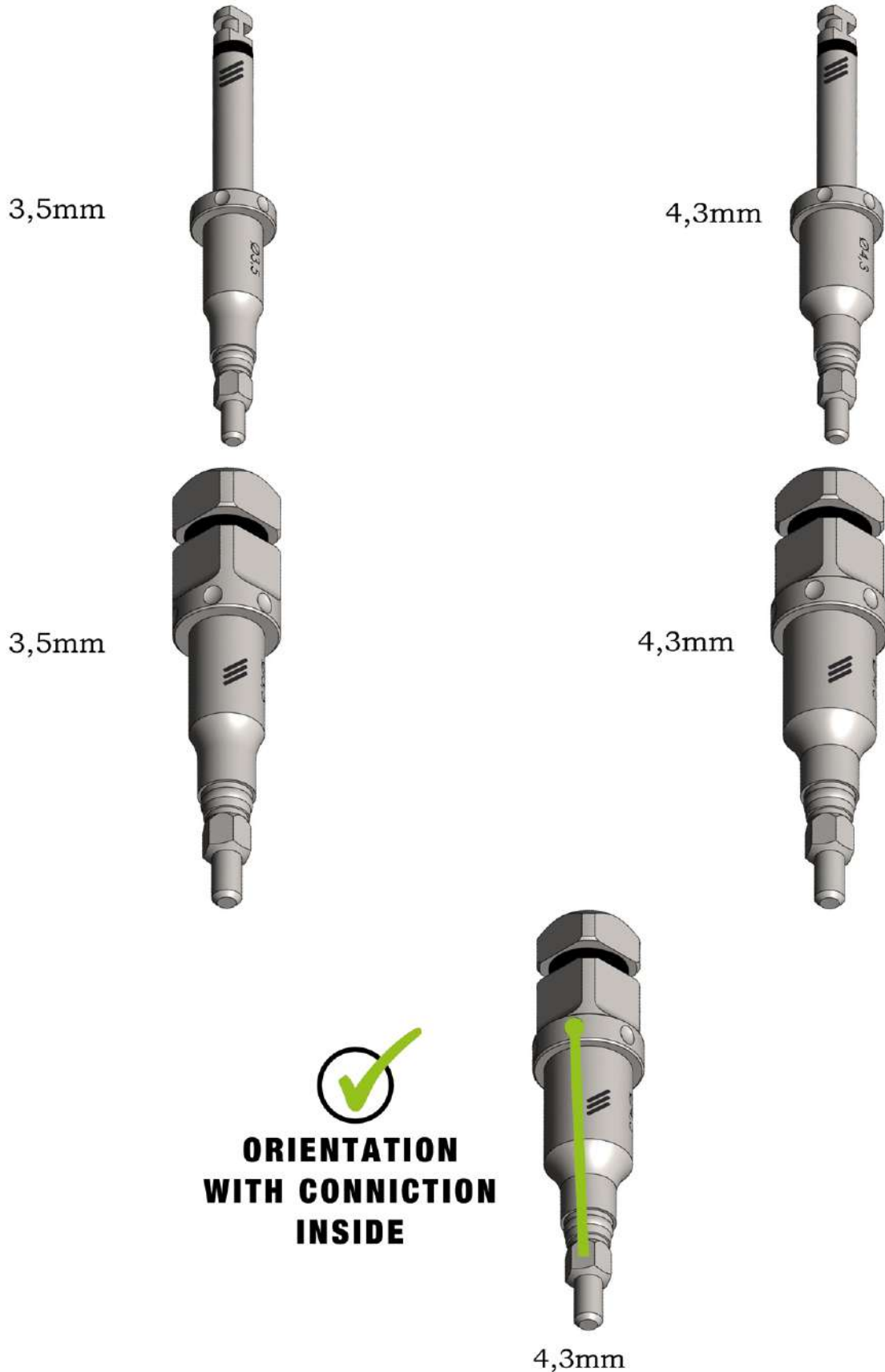
4,3mm



GUIDED SURGERY

GARANTIE guided kit components

IMPLANT DRIVERS



GUIDED SURGERY

GARANTIE guided kit components

**SCREW
DRIVER**



TORQUE RANCH



**LATERAL
PIN**



**FIXATION
PIN**



GUIDED SURGERY

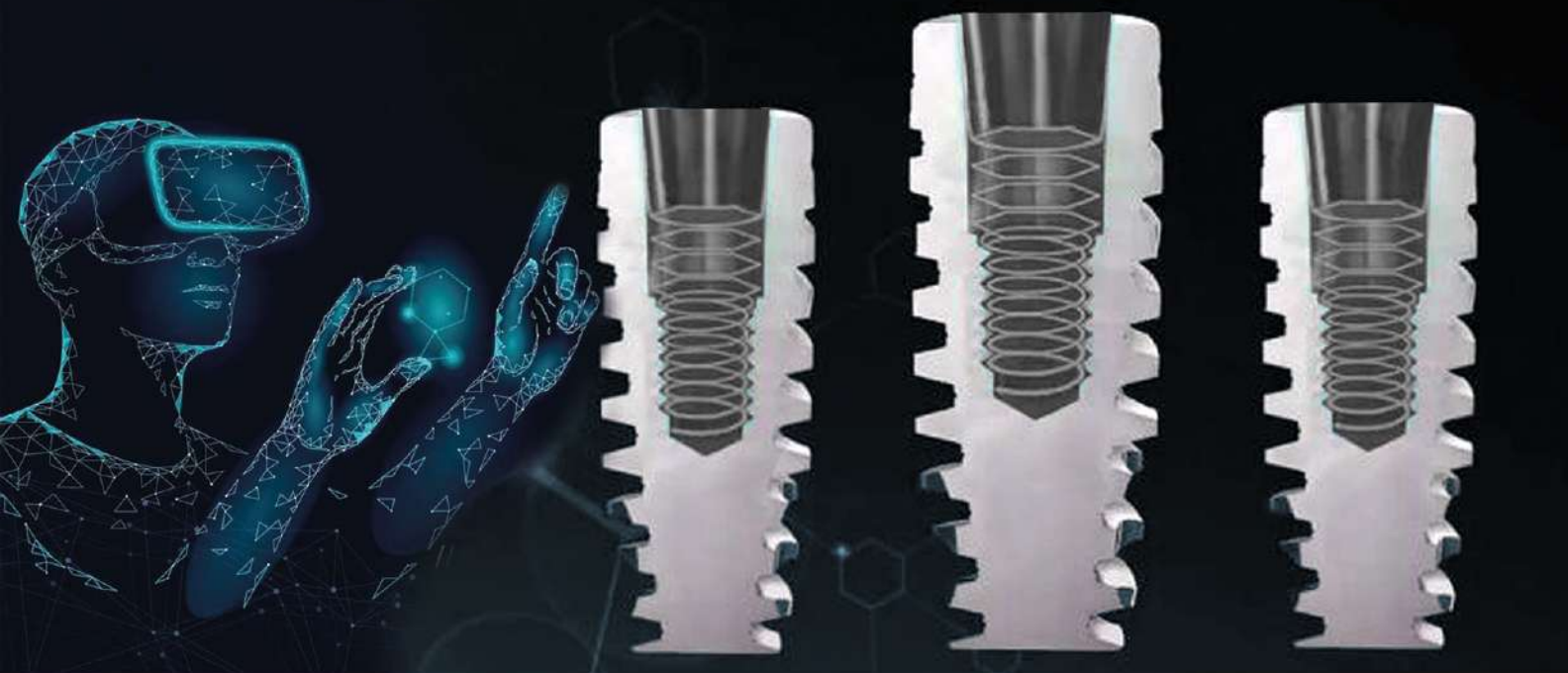
Our Family is a new era of implantology



GÄRÄNTIE®
FULLY GUIDED
IMPLANT SYSTEM

<p>Fixtion Tools</p> <p>Lateral Pins X2</p> <p>Fixtion Pins X4</p> <p>MUA Drivers</p> <p>Screw Drivers</p>	<p>EP & TX Implant Driver</p> <p>EP9 & TX9 Implant Driver</p>	<p>Tissue Punch</p> <p>3.5 4.3</p> <p>Preparation Drills</p> <p>3.5 mm 4.3 mm</p> <p>2.0 x 4.0 2.0 x 4.0</p> <p>2.0 x 8.5 2.8 x 8.5</p> <p>3.5 x 8.5 4.3 x 8.5</p> <p>3.5 x 10.0 4.3 x 10.0</p> <p>3.5 x 11.5 4.3 x 11.5</p> <p>3.5 x 13.0 4.3 x 13.0</p> <p>3.5 x 15.0 4.3 x 15.0</p>	<p>SAFE & SIMPLIFIED GUIDED SURGICAL SET</p>
---	---	---	---

Join Our Family



 **GÄRÄNTIE**®
FULLY GUIDED
I M P L A N T S Y S T E M



www.garantiezahn.com



Donarstr. 13 51107 Köln, Germany.



+49 163 3388610

MADE IN GERMANY